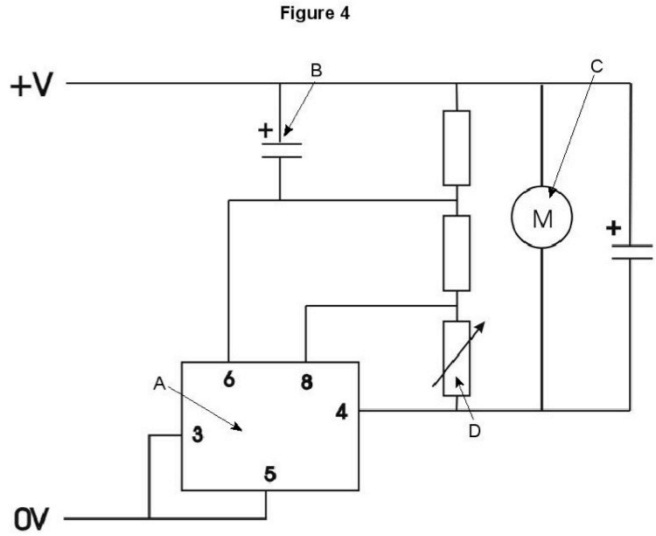


Basic Electronics Questions

3 (a) A speed controller circuit for an electrically powered skateboard is shown below.



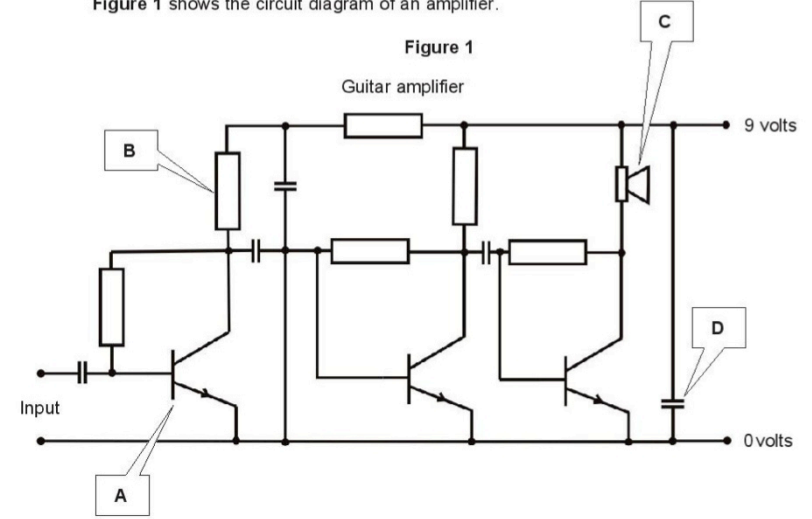
Correctly identify the labelled components in the spaces below.

- A.....
 - B.....
 - C.....
 - D.....
- (4 marks)

Answers

Question	Part	Sub Part	Marking Guidance	Mark	Comments
3	a		(A) Integrated circuit/555 Timer/micro-controller/PIC/Micro Chip/Controller (B) Capacitor (electrolytic) (C) Motor (D) Variable resistor	4	

1 An electric guitar requires a sound system to function correctly. Figure 1 shows the circuit diagram of an amplifier.



1 (a) In the spaces below, correctly identify each labelled component.

- A.....
 - B.....
 - C.....
 - D.....
- (4 marks)

1. An electric guitar requires a sound system to function correctly. Figure 1 shows the circuit diagram of an amplifier.

(a) In the spaces below correctly identify each labelled component.

- A Transistor (1)
- B Resistor (1)
- C Speaker (1)
- D Capacitor (1)

4 marks